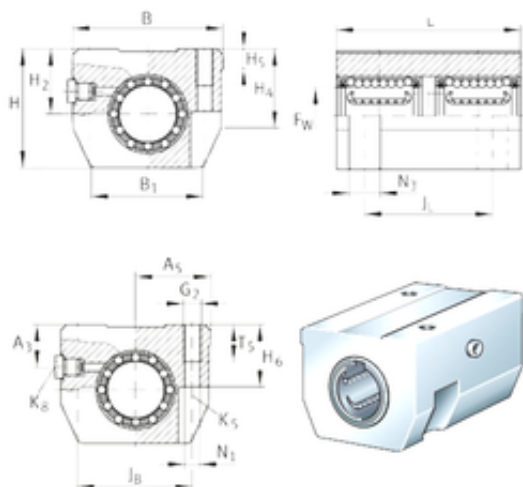




# BEARING BOWER CORP.

## 35208 Spiral Roller Bearing 50x80x35mm

Bearing No. KTHK16-B-PP-AS



KTHK16-B-PP-AS Bearing 2D drawings and 3D CAD models

Bore Diameter	16 mm
Fw	16 mm
H4	28,1 mm
H5	6,9 mm
H6	18 mm
A5	21,5 mm
Thread (K)	M4
B	43 mm
B1	34 mm
H	36,5 mm
H2	19 mm
L	65 mm
N1	4,3 mm
T	11 mm
A3	13 mm
N2	10 mm
Thread (G2)	M5
JB	34 mm
JL	40 mm
Weight	0,23 Kg
Basic dynamic load rating (C)	1,44 kN