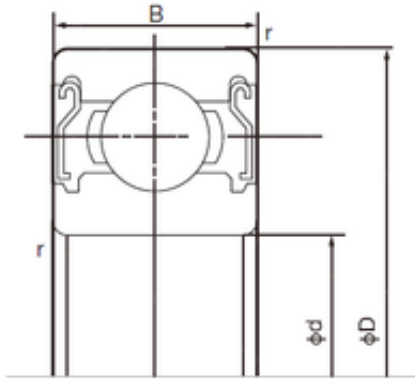




# BEARING BOWER CORP.

60 mm x 95 mm x 18 mm TRANS61006

Eccentric Bearing



Bearing No. 6012ZZE

6012ZZE Bearing 2D drawings and 3D CAD models

Size	60x95x18 mm
Bore Diameter	60 mm
Outer Diameter	95 mm
Width	18 mm
d	60 mm
D	95 mm
B	18 mm
C	18 mm
r min.	1.1 mm
da min.	66 mm
Da max.	89 mm
ra max.	1.0 mm
Weight	0.418 Kg
Basic dynamic load rating (C)	29,4 kN
Basic static load rating (C0)	23,2 kN
Category	Single Row Ball Bearings
Inventory	0.0
Manufacturer Name	NACHI
Minimum Buy Quantity	N/A
Weight / Kilogram	0
Product Group	B00308
Enclosure	2 Metal Shields
Precision Class	ABEC 1   ISO P0
Maximum Capacity / Filling Slot	No



## BEARING BOWER CORP.

Rolling Element	Ball Bearing
Snap Ring	No
Internal Special Features	No
Cage Material	Steel
Internal Clearance	C0-Medium
Inch - Metric	Metric
Long Description	60MM Bore; 95MM Outside Diameter; 18MM Outer Race Width; 2 Metal Shields; Ball Bearing; ABEC 1   ISO P0; No Filling Slot; No Snap Ring; No Internal Special Features; C0-Medium Internal Clearance; Stee
Other Features	Deep Groove
Category	Single Row Ball Bearing
UNSPSC	31171504
Harmonized Tariff Code	8482.10.50.68
Noun	Bearing
Keyword String	Ball
Manufacturer URL	<a href="http://www.nachiamerica.com">http://www.nachiamerica.com</a>
Outside Diameter	3.74 Inch   95 Millimeter
Inner Race Width	0 Inch   0 Millimeter
Bore	2.362 Inch   60 Millimeter
Outer Race Width	0.709 Inch   18 Millimeter
Bore Type	Cylindrical Bore
Configuration	Single Row
Bore Size	60 mm
Width	18 mm
Fillet Radius/Chamfer	1.1 mm
Dynamic Load Rating	29,400 N
Static Load Rating	23,200 N
Limiting Speed - Grease	7,100 rpm



## BEARING BOWER CORP.

Factor fo	15.5
Radial Clearance	0.008 to 0.028 mm
da (min)	66 mm
Da (max)	89 mm
ra (max)	1 mm