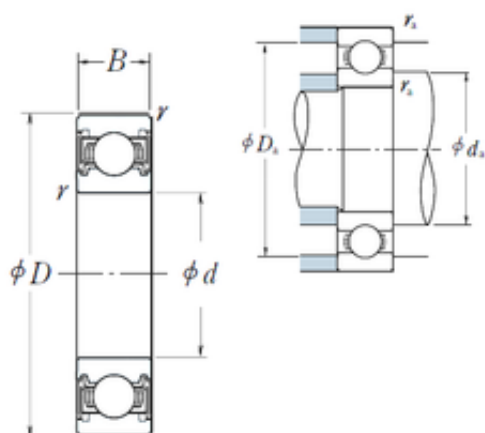




## BEARING BOWER CORP.



### 10 mm x 30 mm x 9 mm B71915C.T.P4S.UL Super Precision Bearing 75x105x32mm

Bearing No. 6200VV

6200VV Bearing 2D drawings and 3D CAD models

Size	10x30x9 mm
Bore Diameter	10 mm
Outer Diameter	30 mm
Width	9 mm
d	10 mm
D	30 mm
B	9 mm
C	9 mm
r min.	0,6 mm
da min.	14 mm
da max	16 mm
Da max.	26 mm
ra max.	0,6 mm
Weight	0,032 Kg
Basic dynamic load rating (C)	5,1 kN
Basic static load rating (C0)	2,39 kN
(Grease) Lubrication Speed	24 000 r/min
Category	Single Row Ball Bearings
Inventory	0.0
Manufacturer Name	NSK
Minimum Buy Quantity	N/A
Weight / Kilogram	0.01
EAN	0029176013584
Product Group	B00308
Enclosure	2 Seals



## BEARING BOWER CORP.

Precision Class	ABEC 1   ISO P0
Maximum Capacity / Filling Slot	No
Rolling Element	Ball Bearing
Snap Ring	No
Internal Special Features	No
Cage Material	Steel
Enclosure Type	Non-Contact Seal
Internal Clearance	C0-Medium
Inch - Metric	Metric
Long Description	10MM Bore; 30MM Outside Diameter; 9MM Outer Race Diameter; 2 Seals; Ball Bearing; ABEC 1   ISO P0; No Filling Slot; No Snap Ring; No Internal Special Features
Category	Single Row Ball Bearing
UNSPSC	31171504
Harmonized Tariff Code	8482.10.50.68
Noun	Bearing
Keyword String	Ball
Manufacturer URL	<a href="http://www.nskamericas.com">http://www.nskamericas.com</a>
Manufacturer Item Number	6200VV
Weight / LBS	0.029
Outside Diameter	1.181 Inch   30 Millimeter
Bore	0.394 Inch   10 Millimeter
Outer Race Width	0.354 Inch   9 Millimeter
SRI	2.46
hidYobi	6200VV
LangID	1
D_	30
SREX	0.03
B_	9



## BEARING BOWER CORP.

da min	14
hidTable	ecat_NSRDGB
SRE	2.52
mass	0.032
GRS rpm	24000
ra	0.6
SRIX	0.015
D_a	26
SRIN	-0.015
C0	2.39
fo	13.2
SREN	0
DE_	25.262
Prod_Type3	DGBB_SR_VV
DA_	4.762
bomp	0
Z_	8
yobi	6200VV
C_conv	5100
ALPHA_	0
SDM_	20.5
r	0.6
KBRG	6151
SBRG	2
DI_	15.738