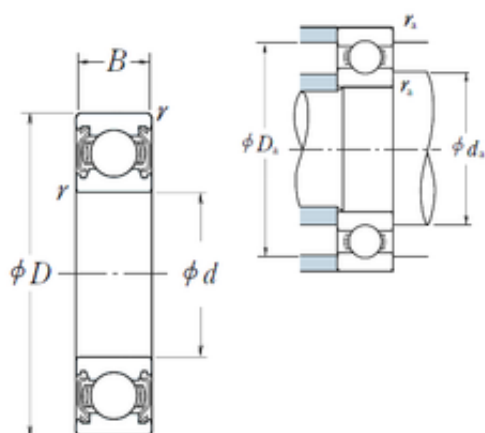




BEARING BOWER CORP.



15 mm x 32 mm x 9 mm 3311-BD-TVH Double Row Angular Contact Ball Bearing
55x120x49.2mm

Bearing No. 6002ZZ

6002ZZ Bearing 2D drawings and 3D CAD models

Size	15x32x9 mm
Bore Diameter	15 mm
Outer Diameter	32 mm
Width	9 mm
d	15 mm
D	32 mm
B	9 mm
C	9 mm
r min.	0,3 mm
da min.	17 mm
da max	19 mm
Da max.	30 mm
ra max.	0,3 mm
Weight	0,031 Kg
Basic dynamic load rating (C)	5,6 kN
Basic static load rating (C0)	2,83 kN
(Grease) Lubrication Speed	24 000 r/min
Category	Single Row Ball Bearings
Inventory	0.0
Manufacturer Name	NSK
Minimum Buy Quantity	N/A
Weight / Kilogram	0.032
EAN	0029176012365
Product Group	B00308



BEARING BOWER CORP.

Enclosure	2 Metal Shields
Precision Class	ABEC 1 ISO P0
Maximum Capacity / Filling Slot	No
Rolling Element	Ball Bearing
Snap Ring	No
Internal Special Features	No
Cage Material	Steel
Internal Clearance	C0-Medium
Inch - Metric	Metric
Long Description	15MM Bore; 32MM Outside Diameter; 9MM Outer Race Diameter; 2 Metal Shields; Ball Bearing; ABEC 1 ISO P0; No Filling Slot; No Snap Ring; No Internal Special Features
Category	Single Row Ball Bearing
UNSPSC	31171504
Harmonized Tariff Code	8482.10.50.68
Noun	Bearing
Keyword String	Ball
Manufacturer URL	http://www.nskamericas.com
Manufacturer Item Number	6002ZZ
Weight / LBS	0.03
Outside Diameter	1.26 Inch 32 Millimeter
Bore	0.591 Inch 15 Millimeter
Outer Race Width	0.354 Inch 9 Millimeter
bore diameter:	15 mm
static load capacity:	2830 N
outside diameter:	32 mm
precision rating:	Not Rated
overall width:	9 mm
finish/coating:	Uncoated



BEARING BOWER CORP.

bore type:	Round
cage material:	Steel
closure type:	Double Shielded
outer ring width:	9 mm
row type & fill slot:	Single Row Non-Fill Slot
fillet radius:	0.3 mm
internal clearance:	C0
maximum rpm:	28000 RPM
operating temperature range:	-10 to +110 ° C
series:	60
dynamic load capacity:	5600 N
SRI	2.46
hidYobi	6002ZZ
LangID	1
D_	32
SREX	0.03
B_	9
da min	17
hidTable	ecat_NSRDGB
SRE	2.52
mass	0.031
GRS rpm	24000
ra	0.3
SRIX	0.015
D_a	30
SRIN	-0.015
C0	2.83
fo	13.9
SREN	0
DE_	28.262
Prod_Type3	DGGB_SR_ZZ



BEARING BOWER CORP.

DA_	4.762
bomp	0
Z_	9
yobi	6002ZZ
C_conv	5600
ALPHA_	0
SDM_	23.5
r	0.3
KBRG	6141
SBRG	10
DI_	18.738